



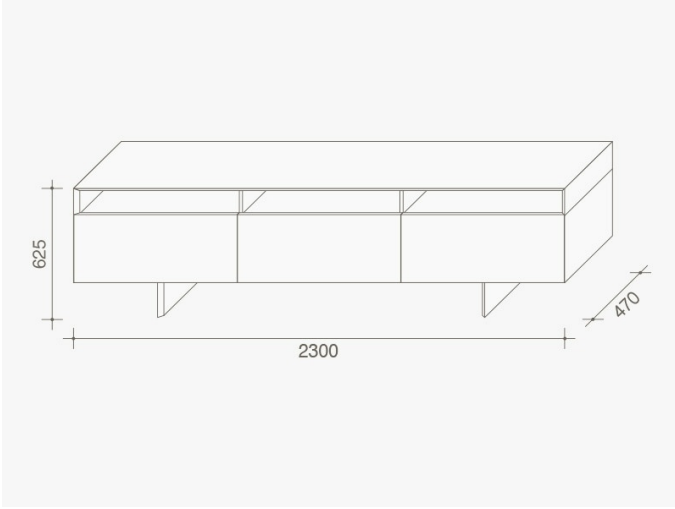
# MARBLE ARCH

*Design by:*  
Matteo Nunziati

*Year:*  
2013

A regular and clean volume, with a thermally-treated oak structure defines Marble Arch unit by Matteo Nunziati. Fitted with open units on the top and on the bottom closed with flap doors and drawers, it is supported by elegant lama feet in the same material. Contrasting the warm wood, the precious cement top turning around the corners creating a refined arch.

# TECHNICAL DRAWINGS



— *marble\_arch\_01*