

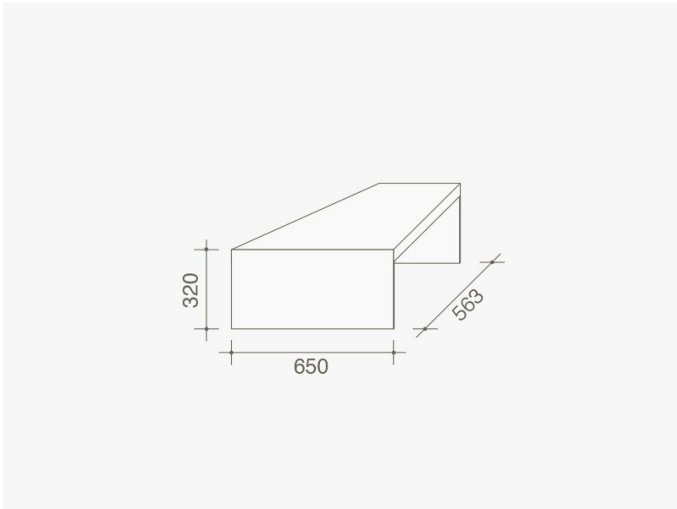
# COMBO

*Design by:*  
Francesco Rota

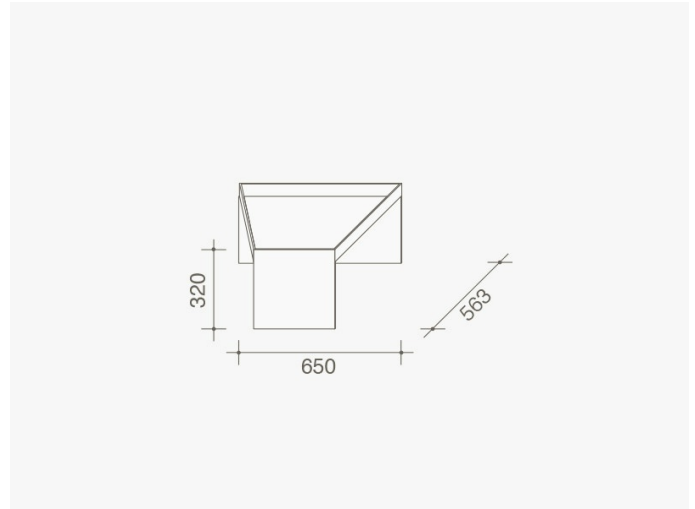
*Year:*  
2012

Four trapezoidal elements in HPL which can be freely combined make up Combo, signed by Francesco Rota, an amusing tangram consisting of two element types, one with a framed top and the other unframed. The pieces can be combined in a myriad of ways to provide an endless series of compositions and forms, for utmost customisation typical of the design made in Lema.  
STRUCTURE: -Hpl

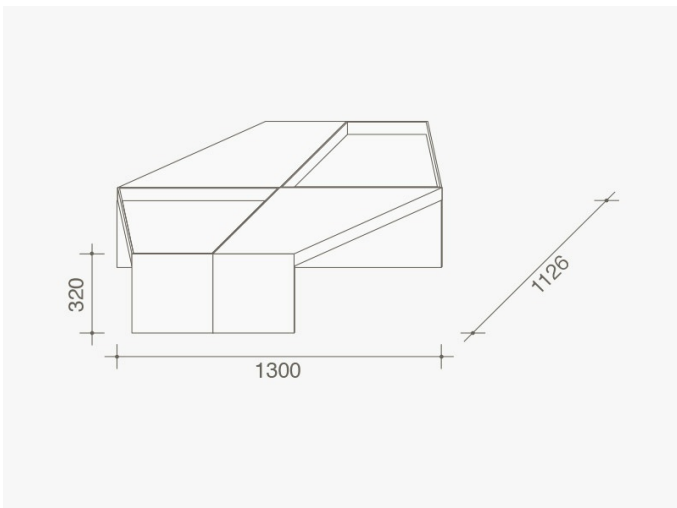
# TECHNICAL DRAWINGS



— *combo\_01*



— *combo\_02*



— *combo\_03*